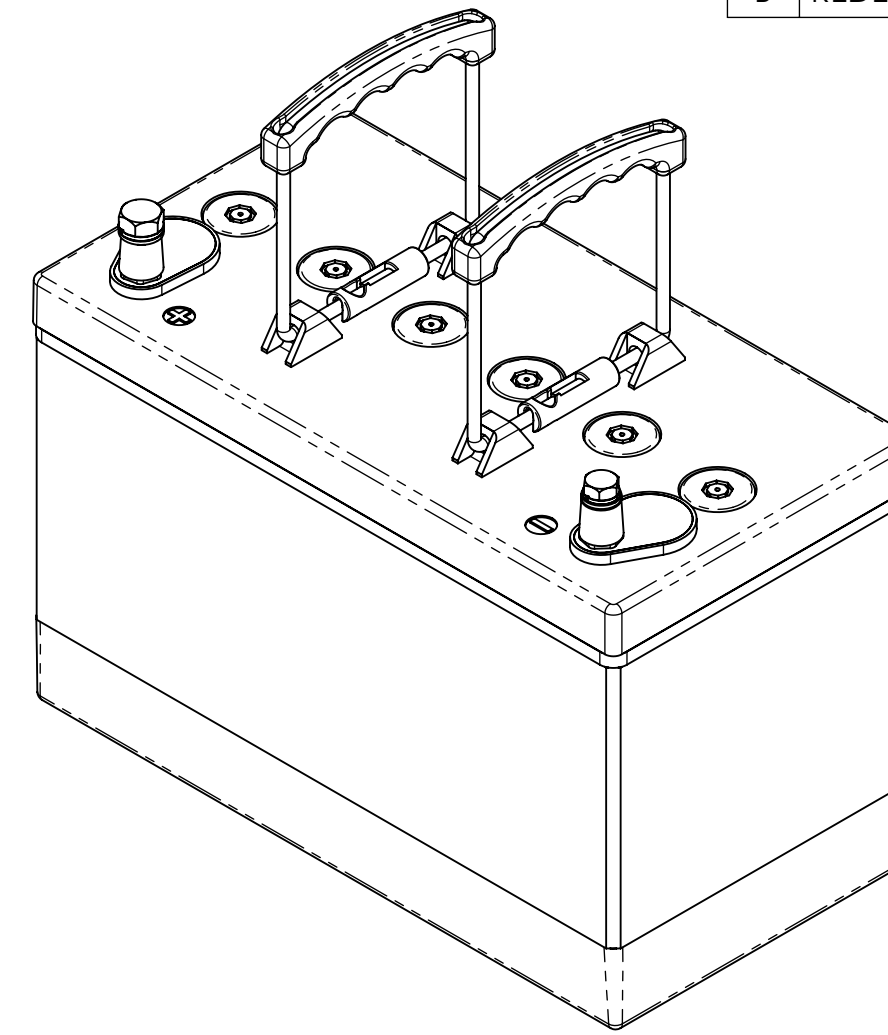
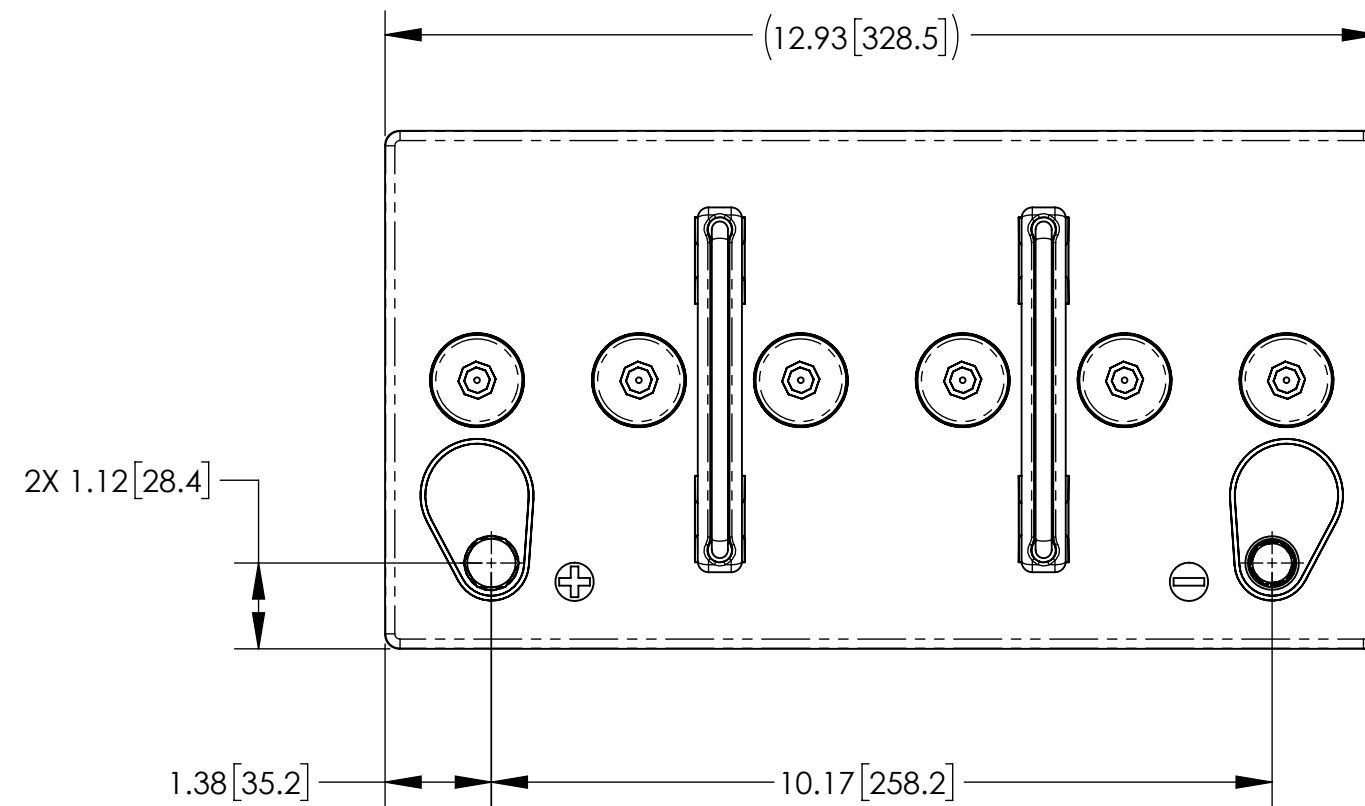


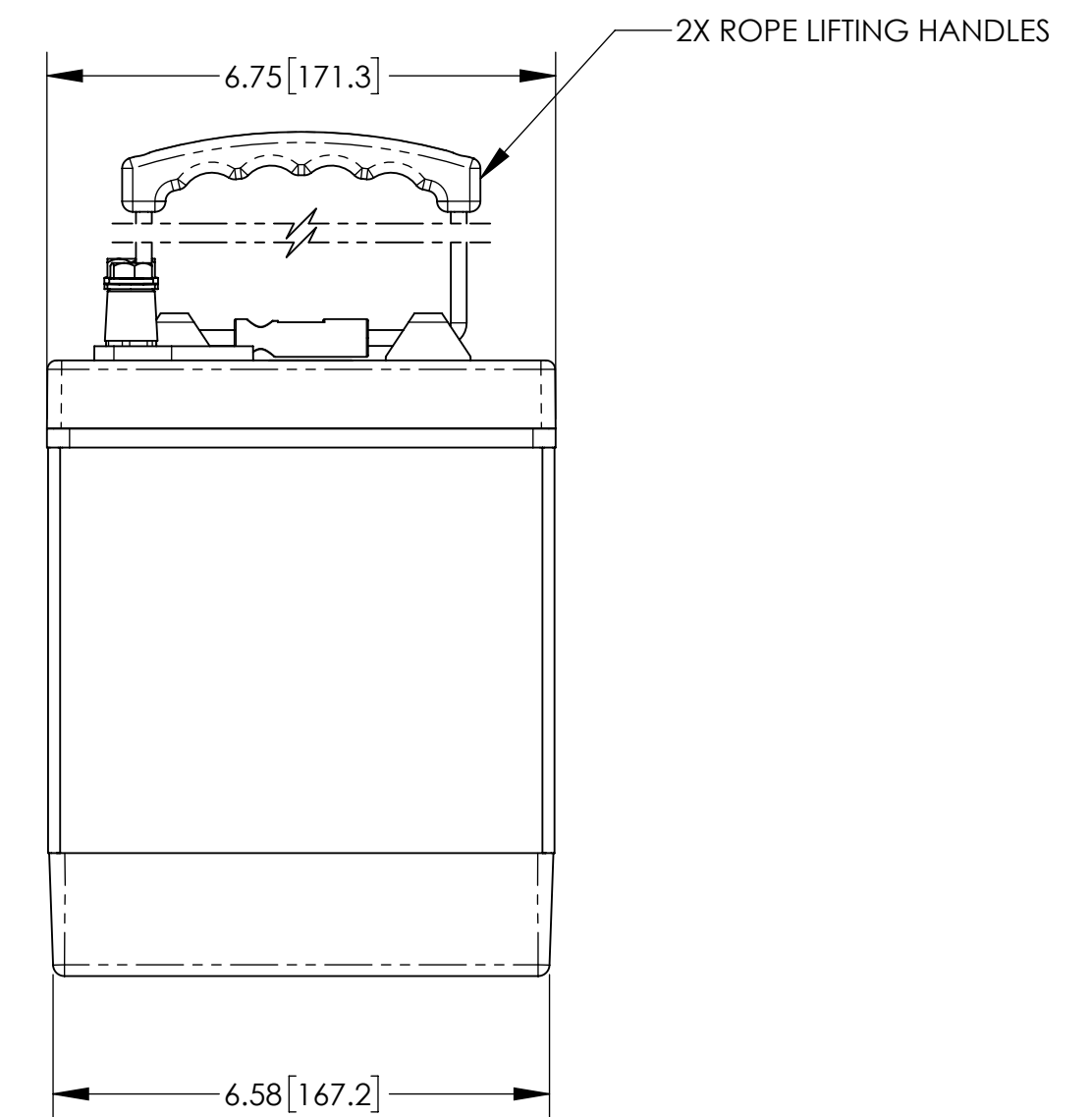
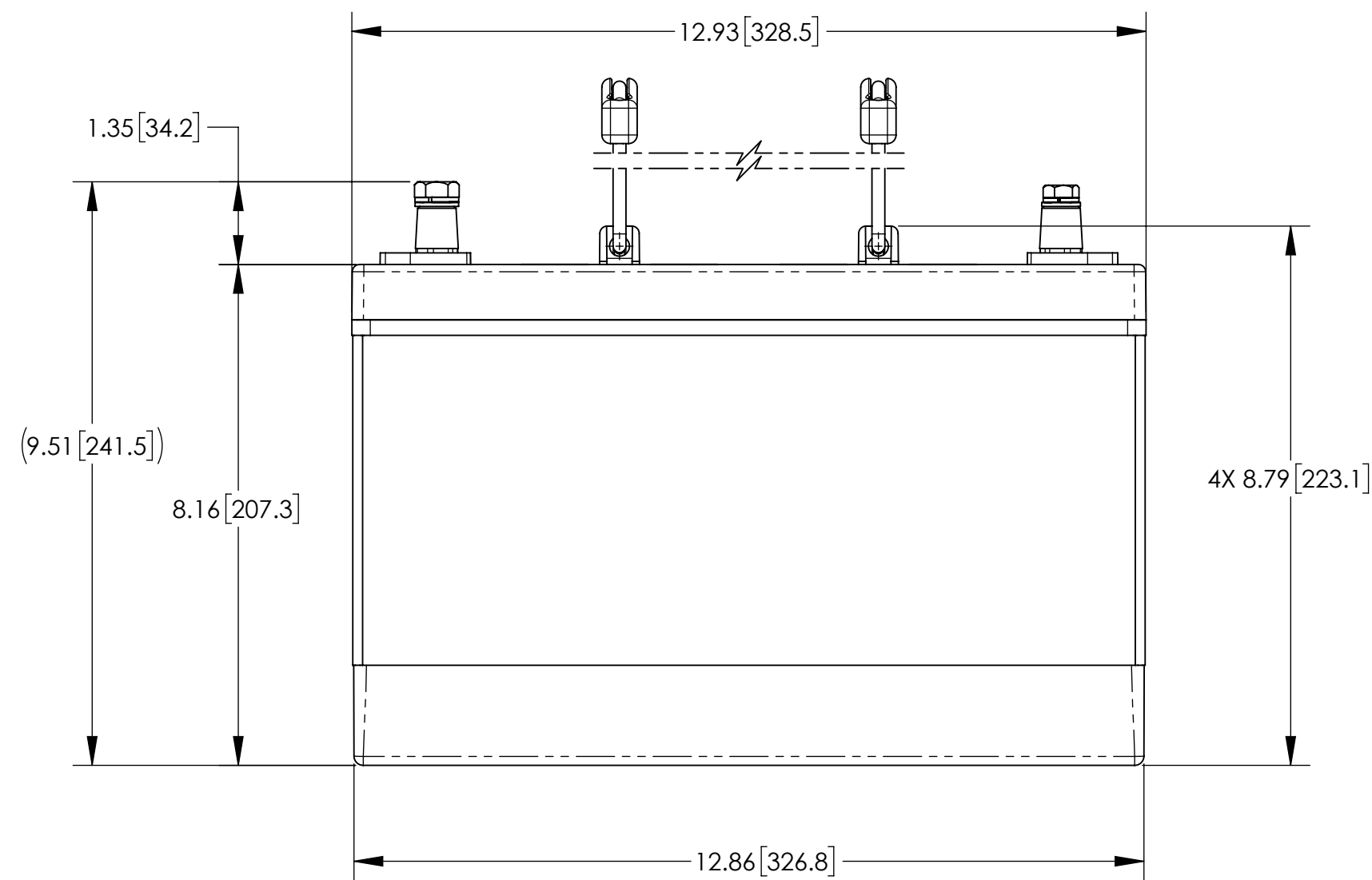
NOTES: UNLESS OTHERWISE SPECIFIED

1. SEE DRAWING NO. CB-00290 AND PROCEDURE P-1000 FOR ASSEMBLY AND TEST INSTRUCTION. PROCEDURES AND ASSEMBLY DRAWINGS ARE FOR INTERNAL USE ONLY.
2. ALL TESTING IS PERFORMED IAW BATTERY COUNCIL INTERNATIONAL STANDARDS.
3. ALL DIMENSIONS ARE INCH [MM]

REVISIONS			
REV	DESCRIPTION	DATE	APPROVED
B	REDESIGNED COVER	1/24/18	PH



ISOMETRIC VIEW



CAPACITY RATINGS	
PART NUMBER	GPL-31T
NOMINAL WEIGHT	64 LBS [29 KG]
AMPERE HOUR CAPACITY @ 20 HOUR 1.75 VOLTS/CELL @ 77°F (25°C)	105 AH
MINUTES OF DISCHARGE @ 25 AMPS 1.75 VOLTS/CELL @ 77°F (25°C)	195 MIN

ENVELOPE DRAWING

UNLESS OTHERWISE SPECIFIED DIMENSIONS ARE IN INCHES TOLERANCES ARE:			CONTRACT NO.		CONCORDE BATTERY CORPORATION 2009 SAN BERNARDINO RD, W. COVINA, CA 91790			
FRACTIONS	DECIMALS	ANGLES	APPROVALS	DATE	TITLE			
±1/32	.XX ± .06 .XXX ± .060	±1°	DRAWN ELH	3/13/00	BATTERY, 12 VOLT, GPL-31T			
TREATMENT	NONE	CHECKED S. VALDEZ	APPROVED JBT	3/16/00	SIZE C	CAGE CODE 63017	DWG NO. GPL-31T	REV B
FINISH	NONE	ISSUED JG	1/25/18	SCALE 1:2.5	SHEET 1 OF 1			